

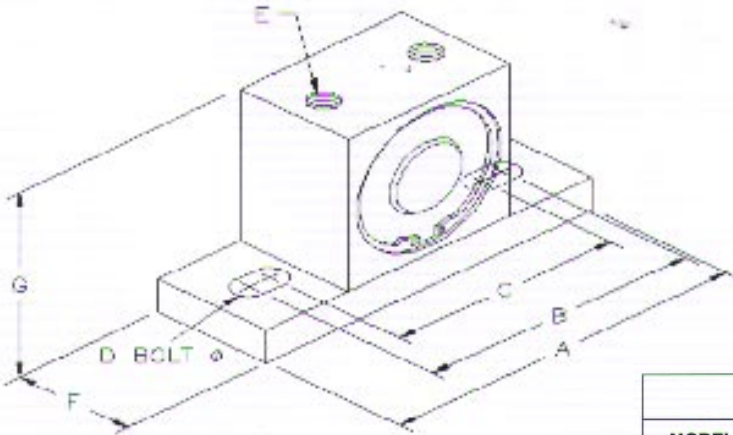


THE STRONG SILENT TYPE

The HVT SERIES Pneumatic Turbine Vibrators offer high frequency force, low noise levels, and very competitive pricing.

They are easy to install and efficient to operate because they use very little air and do not require lubrication.

The HVT SERIES Aluminum bodies are lightweight and durable.



DIMENSIONS IN INCHES								
MODEL	A	B	C	D	E	F	G	WEIGHT LBS
HVT-150-1	4.88	3.94	2.94	7/16	1/8	2.00	3.12	1.06
HVT-150-2	4.88	3.94	2.94	7/16	1/8	2.00	3.12	1.08
HVT-150-3	4.88	3.94	2.94	7/16	1/8	2.00	3.12	1.10
HVT-280-1	7.06	5.44	4.56	5/8	1/4	2.36	5.00	3.46
HVT-280-2	7.06	5.44	4.56	5/8	1/4	2.36	5.00	3.46
HVT-280-3	7.06	5.44	4.56	5/8	1/4	2.36	5.00	3.53
HVT-320-1	8.63	7.44	6.06	11/16	3/8	3.00	6.00	7.45
HVT-320-2	8.63	7.44	6.06	11/16	3/8	3.00	6.00	7.60
HVT-320-3	8.63	7.44	6.06	11/16	3/8	3.00	6.00	7.94