



RAPPIT-3002 PRECIPITATORS



Our RAPPITs are designed for all pneumatic rapper tapered transmission shaft applications. We offer a full line of Electrostatic Precipitator Rapping Systems, including a complete inventory of component parts. HVI also offers total rebuilding and repairing service on most pneumatic precipitator rappers.

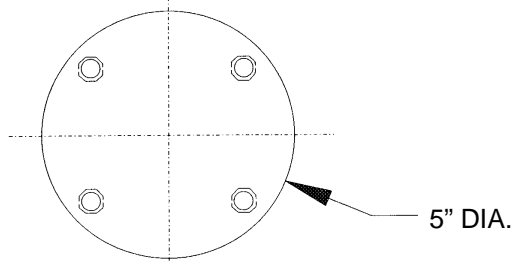
Why should you use the HVI RAPPIT-3002 in your plant?

- INCREASED EFFICIENCY AND CLEANING ACTION
- "TEF-KOTE" BORE FOR LUBRICATION-FREE OPERATION
- HARDENED STRESS-PROOF STEEL PISTONS
- SINGLE PIECE CONSTRUCTION
- COMPETITIVELY PRICED

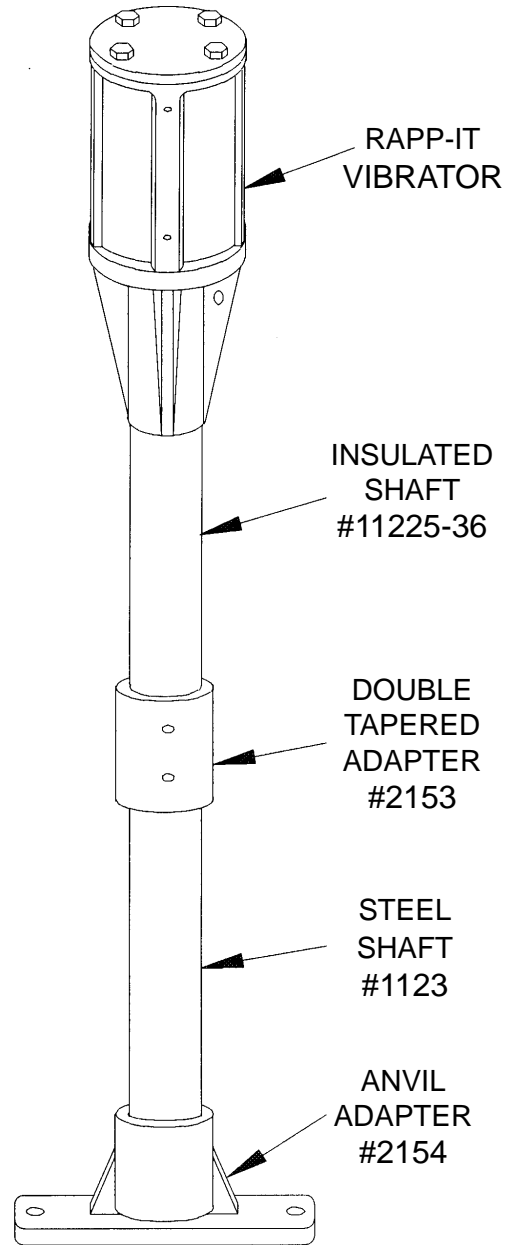
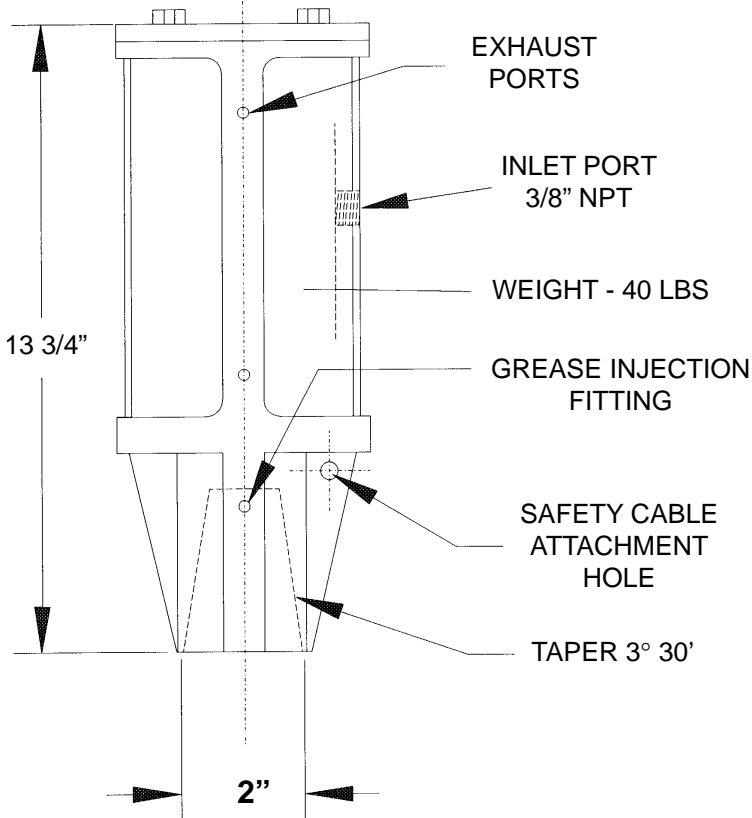


RAPPIT-3002 SPECIFICATIONS

AVAILABLE MODELS
RAPP-IT 3002 STANDARD WITH TEF-KOTE
RAPP-IT 3003 NON-COATED INTERNAL BORE
RAPP-IT 3002-SS WITH TEF-KOTE, & RETURN SPRING FOR HORIZONTAL APPLICATIONS
RAPP-IT 3003-SS NON-COATED INTERNAL BORE, RETURN SPRING FOR HORIZONTAL APPLICATIONS



RECOMMENDED PRESSURE
WIRE...20-25 PSI
PLATES...25-35 PSI
WARNING: DO NOT OPERATE
AT OVER 45 PSI



- INDUSTRIES SERVED BY THE HVI RAPP-IT VIBRATOR**
- POWER/UTILITIES
 - PULP/PAPER
 - CEMENT
 - STEEL/IRON
 - CHEMICALS
 - FOUNDRIES
 - INCINERATION