

SK SERIES BALL VIBRATORS

Lightweight Plastic Pneumatic Ball Vibrators

SK SERIES Plastic-Body Pneumatic Ball Vibrators from Houston Vibrator are lightweight and tough, and provide reliable performance even in dusty, wet environments.

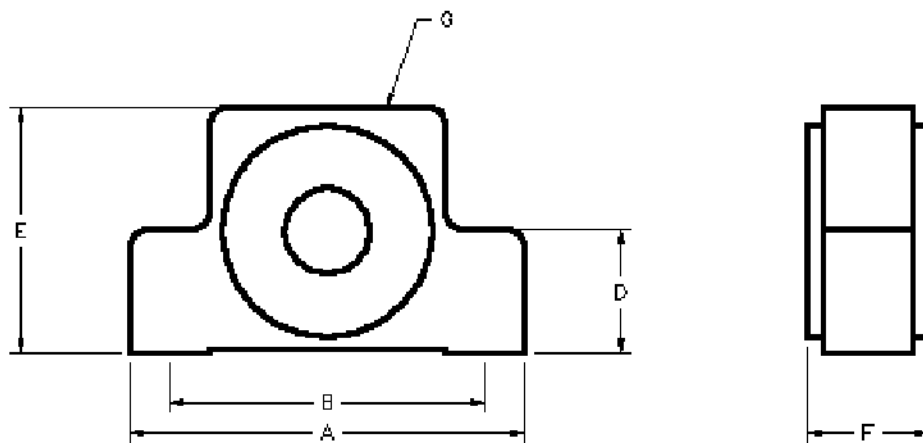


SK Series Vibrators are constructed of a high molecular composite material to be lightweight, rust resistant, and durable for tough applications. One-piece sealed construction makes the SK Series a great choice for installation in many harsh environments. The durable design and quality construction of the SK Series ensure reliable performance and long service life.

There are seven models available with force outputs up to 1000 lbs/force at 80 p.s.i. When installed in combination with a Houston Vibrator Lubro-Control Unit, Force and frequency of SK Series Vibrators can be adjusted by varying supply air pressure between 20 and 80 p.s.i.

Contact the Houston Vibrator Sales Department for assistance in selecting the right SK Model for your application. Houston Vibrator also stocks a complete selection of mounting and control components for the SK Series.

MODEL	START PRESSURE		SK SERIES PERFORMANCE DATA									
	PSI		AT 40 PSI			AT 60 PSI			AT 80 PSI			WEIGHT LBS
	HORIZ	VERT	VPM	FORCE LBS	CFM	VPM	FORCE LBS	CFM	VPM	FORCE LBS	CFM	
SK-10	2	5	21000	50	7	23000	68	7	24000	90	8	1
SK-13	2	5	17000	65	8	16000	85	9	20000	110	11	1.1
SK-19	10	20	13000	160	9	14000	200	16	15000	235	18	2.2
SK-25	15	30	7000	200	11	8000	250	15	9000	270	19	2.4
SK-35	25	50	6700	350	12	7500	400	15	8500	465	20	2.6
SK-41	25	55	4500	365	18	5100	580	23	5800	765	29	5.7
SK-51	30	60	4500	600	20	5000	800	28	5300	1000	32	6.4



MODEL	SK SERIES DIMENSIONAL DATA							
	A [in]	B [in]	C [in]	D [in]	E [in]	F [in]	G [NPT]	BOLT QTY
SK-10	4.96	3.98	3/8	1.34	2.68	1.18	1/8"	2
SK-13	4.96	3.98	3/8	1.34	2.68	1.18	1/8"	2
SK-19	5.55	4.57	7/16	1.57	3.38	1.46	1/4"	2
SK-25	6.42	5.20	7/16	2.00	3.98	1.97	1/4"	2
SK-35	6.42	5.20	7/16	2.00	3.98	1.97	1/4"	2
SK-41	8.88	7.42	5/8	3.05	6.06	2.42	1/2"	2
SK-51	8.88	7.42	5/8	3.05	6.06	2.42	1/2"	2

Exhaust Muffler is included with each SK Series Vibrator. Other Components Available:

- Channel Mounting Plates with Fasteners
- Lubro-Control Units (Filter-Lubricator-Regulator)
- Pneumatic & Electric On/Off Valves
- Air Hoses with swivel fittings
- Pneumatic & Electric Timers