

# AMV Series Electric Vibrators



Mini Electric Vibrator  
packs a mighty  
powerful punch.

## AMV Series Rotary Electric Vibrators

AMV Series Rotary Electric Vibrators are small, efficient, and well-suited to applications such as conveying and feeding, and improving flow of bulk powders in small bins, hoppers, and chutes.

All AMV models weigh in at less than four pounds, with adjustable force output up to 68 pounds. Single phase and three phase models are available.

### Standard features & benefits

- Cast Iron Body
- Aluminum weight covers
- Sturdy four-bolt foot mount
- Adjustable Force - adjustment is made by adding or removing eccentric weights from each end of the shaft. Six force settings are available
- Rated for continuous duty at maximum force setting
- Power cable included
- Single phase models include in-line capacitor

### Available Options & Accessories

- Speed control/Starter for single phase models
- Starter for three phase models
- Bin/Hopper mounting kits
- Extended Mounting Channel kits
- Pipe Mounting Kits

### A few common applications Include:

- Food Ingredient bins
- Pharmaceutical Ingredient bins
- Small weigh hoppers
- Light duty vibrating tables & platforms
- Small feeders
- Transfer pipes
- Small Chutes

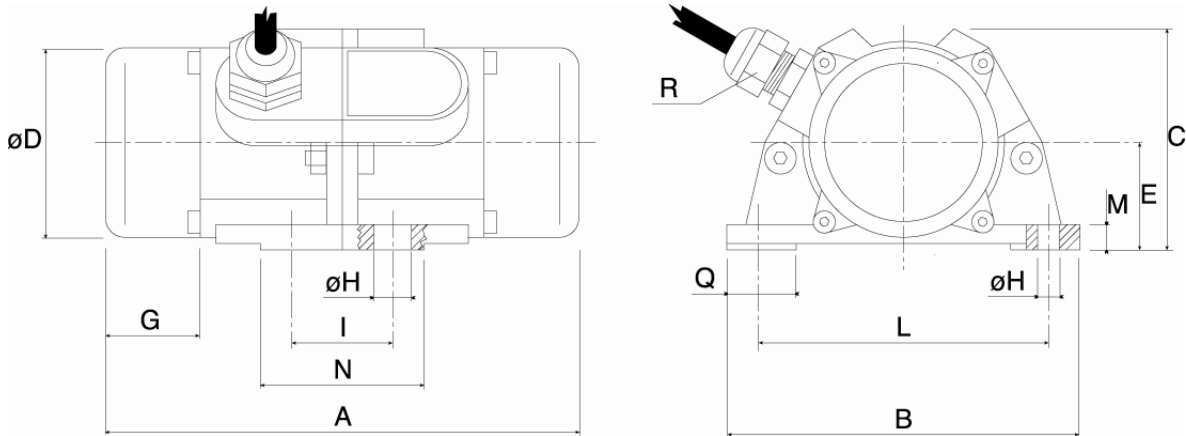
When more force is required, Houston Vibrator's SPV Series offers a wide variety of choices. Contact the Houston Vibrator sales team for assistance in choosing the right vibrator for your application requirements.

Houston Vibrator, Ltd.  
PO Box 801882  
Houston, TX 77280  
U.S.A.

phone: 713-939-0404 | 800-320-4044  
fax: 713-939-7213 | 866-630-0404  
e-mail: sales@houstonvibrator.com  
web: www.HoustonVibrator.com



# AMV Series Technical Data



## Overall Dimensions

Model	A		B		C		D		E		G		Weight	
	in	mm	in	mm	in	mm	in	mm	in	mm	in	mm	Lbs	Kgs
AMV 0.3 AM	5.75	146	4.4	112	2.5	64	2.35	60	1.4	36	1.25	32	3.75	1.7
AMV 0.3 A2	5.75	146	4.4	112	2.5	64	2.35	60	1.4	36	1.25	32	3.75	1.7
AMV 0.3 A4	5.75	146	4.4	112	2.5	64	2.35	60	1.4	36	1.25	32	3.75	1.7

## Mounting Dimensions

Model	No x H		I		L		M		N		P		Q	
	in	mm	in	mm	in	mm	in	mm	in	mm	in	mm	in	mm
AMV 0.3 AM	4 x 0.28	4 x 7	1.3	33	3.6	91	.35	9	2.2	56	1.1	28	0.9	23
AMV 0.3 A2	4 x 0.28	4 x 7	1.3	33	3.6	91	.35	9	2.2	56	1.1	28	0.9	23
AMV 0.3 A4	4 x 0.28	4 x 7	1.3	33	3.6	91	.35	9	2.2	56	1.1	28	0.9	23

## Operational Data

Model	Force Output (based on number of weights)												Volts	Amp	Hz*
	1		2		3		4		5		6				
	Lb	Kg	Lb	Kg	Lb	Kg	Lb	Kg	Lb	Kg	Lb	Kg			
AMV 0.3 AM	11.5	5.2	23	10	34	15	46	21	57	26	68	30	115	0.30	60
AMV 0.3 A2	11.5	5.2	23	10	34	15	46	21	57	26	68	30	230	0.30	60
AMV 0.3 A4	11.5	5.2	23	10	34	15	46	21	57	26	68	30	460	0.15	60

\*50 Hz models are also available upon request, please consult factory for specifications

Houston Vibrator, Ltd.  
 PO Box 801882  
 Houston, TX 77280  
 U.S.A.

phone: 713-939-0404 | 800-320-4044  
 fax: 713-939-7213 | 866-630-0404  
 e-mail: sales@houstonvibrator.com  
 web: www.HoustonVibrator.com

