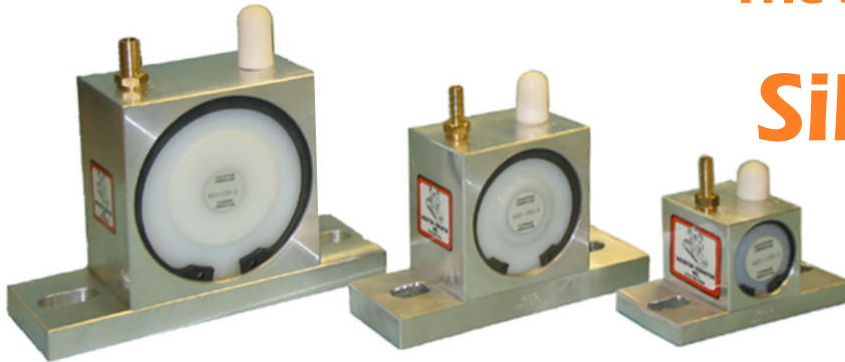


# HVT Series Turbine Vibrators

**Need Help Now?**

Call 800-320-4044 or [email us](mailto:sales@houstonvibrator.com)  
for immediate assistance.



The Strong  
**Silent**  
Type

## HVT Series Pneumatic Turbine Vibrators

HVT Series Pneumatic Turbine Vibrators are ideal for applications in the food and pharmaceutical industries, and others involving fine, dry powders that respond well to high frequency vibration. They require no lubrication, and produce less noise than other types of rotary pneumatic vibrators.

There are 9 models available, with forces to over 1000 pounds.

### Standard features & benefits

- Lightweight aluminum housing
- Low noise output
- Adjustable force and frequency
- Exhaust muffler included
- Male inlet barb included
- Easy to install and operate
- No lubrication required

### Available Options & Accessories

- Bin/Hopper/Chute Mounting Kits
- Pipe Mounting Kits
- Air Prep Components
- Air Hoses
- Pneumatic and Electronic Timers

### A few common applications Include:

- Food/Pharmaceutical Ingredient bins
- Batch Plant Hoppers
- Weigh hoppers
- Light duty vibrating tables & platforms
- Small feeders
- Transfer pipes
- Chutes

The HVT-320 is a great replacement for BV-225's on batch plants, a successful option for reducing noise!

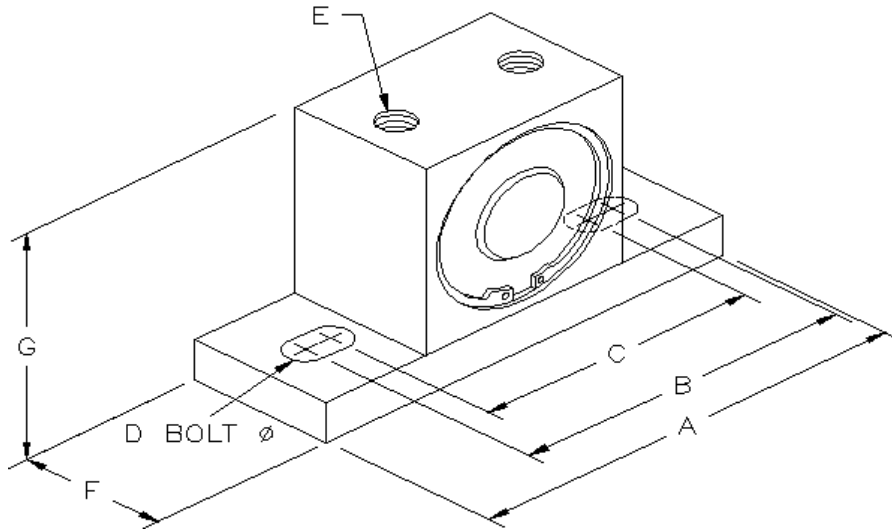
Contact the Houston Vibrator sales team for assistance in choosing the right vibrator and components for your application requirements.

Houston Vibrator, Ltd.  
PO Box 801882  
Houston, TX 77280  
U.S.A.

phone: 713-939-0404 | 800-320-4044  
fax: 713-939-7213 | 866-630-0404  
e-mail: [sales@houstonvibrator.com](mailto:sales@houstonvibrator.com)  
web: [www.HoustonVibrator.com](http://www.HoustonVibrator.com)



# HVT Series Technical Data



## Dimensional Data

Model	A		B		C		D		E	F		G		Weight	
	mm	in	mm	in	mm	in	mm	in	NPT	mm	in	mm	in	kg	lbs
HVT-150-1	124	4.88	80	3.94	75	2.94	11.1	7/16	1/8	51	2.00	80	3.12	.68	1.5
HVT-150-2	124	4.88	80	3.94	75	2.94	11.1	7/16	1/8	51	2.00	80	3.12	.68	1.5
HVT-150-3	124	4.88	80	3.94	75	2.94	11.1	7/16	1/8	51	2.00	80	3.12	.68	1.5
HVT-280-1	180	7.06	120	5.44	116	4.56	15.88	5/8	1/4	60	2.36	127	5.00	1.59	3.5
HVT-280-2	180	7.06	120	5.44	116	4.56	15.88	5/8	1/4	60	2.36	127	5.00	1.59	3.5
HVT-280-3	180	7.06	120	5.44	116	4.56	15.88	5/8	1/4	60	2.36	127	5.00	1.59	3.5
HVT-320-1	219	8.63	180	7.44	154	6.06	17.46	11/16	3/8	76	3.00	152	6.00	3.63	8.0
HVT-320-2	219	8.63	180	7.44	154	6.06	17.46	11/16	3/8	76	3.00	152	6.00	3.63	8.0
HVT-320-3	219	8.63	180	7.44	154	6.06	17.46	11/16	3/8	76	3.00	152	6.00	3.63	8.0

## Operational Data

Model	Frequency VPM			Max Force		Air Consumption/Minute	
	2 Bar	4 Bar	6 Bar	6 Bar	87 PSI	6 Bar	87 PSI
	29 PSI	58 PSI	87 PSI	N	Lb	Litr	CF
HVT-150-1	26000	30000	33000	912	205	249	8.8
HVT-150-2	17000	21500	24000	765	172	249	8.8
HVT-150-3	11500	15500	17000	525	118	249	8.8
HVT-280-1	17000	20000	23000	2860	643	399	14.1
HVT-280-2	12000	15500	17000	3372	758	399	14.1
HVT-280-3	8500	11000	13000	2887	649	399	14.1
HVT-320-1	7700	8800	9500	2878	647	900	31.8
HVT-320-2	6000	7500	9700	4835	1087	900	31.8
HVT-320-3	-	5600	6300	2046	460	900	31.8

Houston Vibrator, Ltd.  
 PO Box 801882  
 Houston, TX 77280  
 U.S.A.

phone: 713-939-0404 | 800-320-4044  
 fax: 713-939-7213 | 866-630-0404  
 e-mail: sales@houstonvibrator.com  
 web: www.HoustonVibrator.com

