

### Portable Mounting for Pneumatic Vibrators



The VTC vacuum clamp allows for rapidly attaching pneumatic vibrators to almost any fairly smooth surface. It has been developed as a discharge aid for metal, plastic or even cardboard containers or pipes where vibrators cannot be permanently mounted.

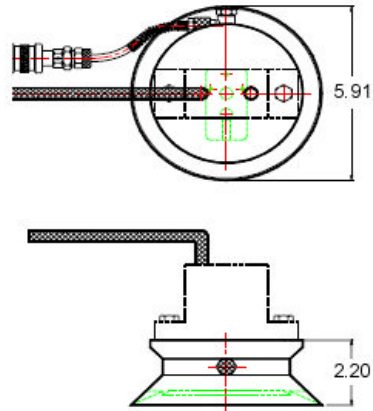
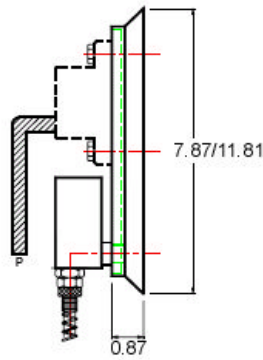
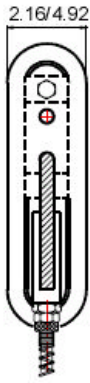
The VTC vacuum clamp is comprised of powerful suction cups operated by a special generator incorporated in a robust vibrator mounting plate. The mounting plate can be drilled to suit various vibrators shown in the table below.

MODEL	MINIMUM MOUNTING AREA [in]	FITS THESE VIBRATORS:	AIR CONSUMPTION* [CFM]
VTC 10	2.165	DAR-2, K-8, K-10, R-50 GT-4, GT-6, GT-8, GT-10, FP-12, FP-18, VTL-155, VTL-165	2
VTC 12	6.890	DAR-2, DAR-4, K-8, K-10, K-13, K-20, K-25, FP-25, FP-35, R-50, R-80, GT- 8, GT-10, GT-16, GT-20, GT-25	2
VTC 15	14.960	DAR-2, DAR-3, K-8, K-10, K-13, K-16, GT-4, GT-6, GT-8, GT-10, GT-13, GT- 16, FP-12, FP-18, R-50, R-65, VTL- 155, VTL-165, VTL-255	2
VTC 15D	14.960	DAR-4, GT-20, GT-25, GT-30, K-20, K-25, K-30, K-36, R-80, FP-25, FP-35, FVP-75/01, VFP-50/01	5.5
VTC 20D	16.929	DAR-5, GT-30, GT-36, GT-40, GT-48, R-100, FP-60-M, FP-95-M	5.5
VTC 20T	19.685	VFP-50/10	6

\* Air Consumption of the Vibrator is not included in this value.

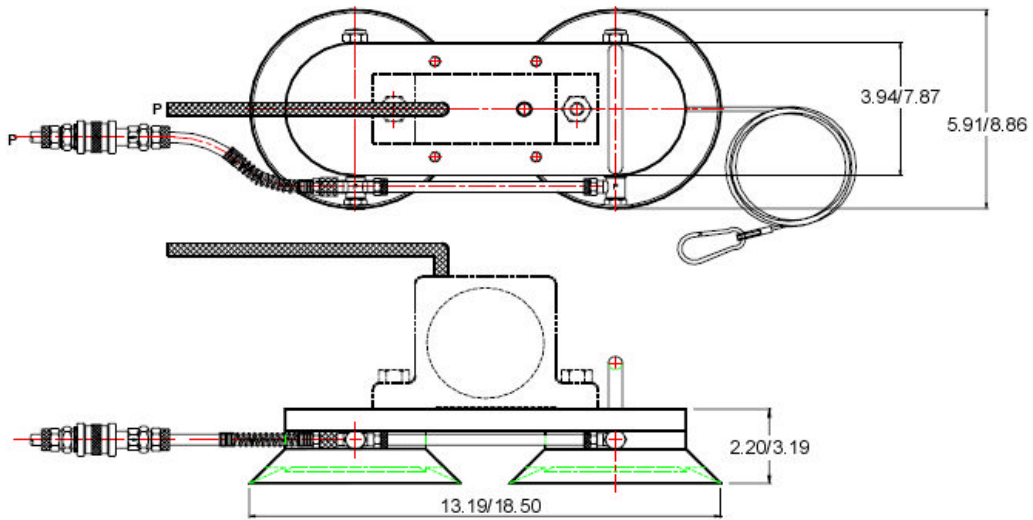
Each unit includes 2 6-1/2-foot lengths of hose and on/off valves that independently control the vacuum and vibrator.

Vibrators are sold separately.

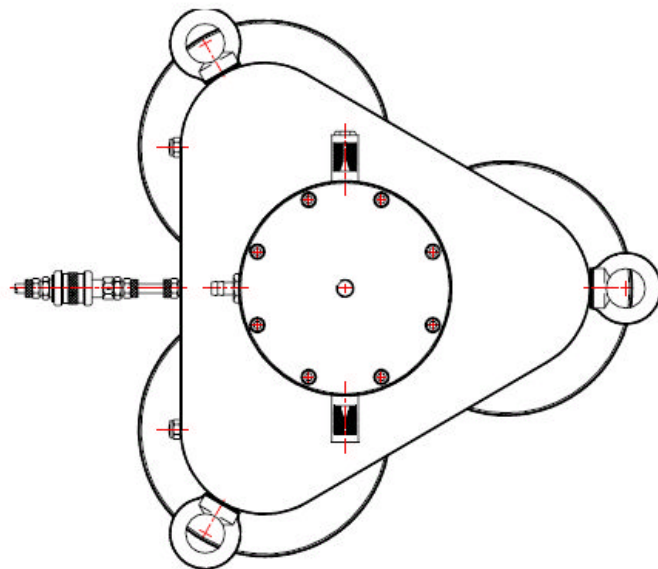
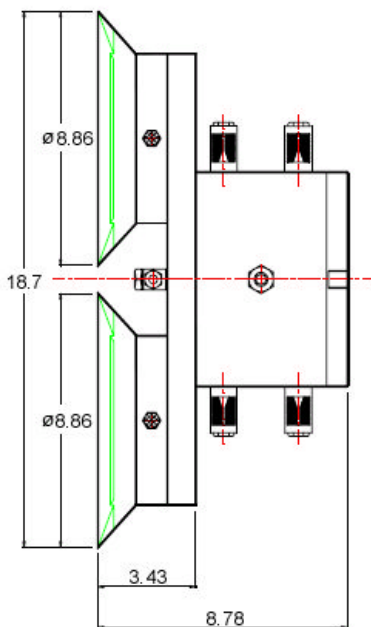


VTC 10 & VTC 12

VTC 15



VTC 15D / 20D



VTC 20T